

EKA 2.5T

Power and Efficiency for Medium Cargo Needs

EKA 2.5T is a zero-tailpipe emission vehicle designed for mid-mile urban logistics. EKA 2.5T combines reliable performance with sustainability, offering an efficient solution for diverse transportation needs.



300 ft³ Loading Space



Impressive 180 km Range*



9 ft. Long Deck



1500 Kg Payload Capacity



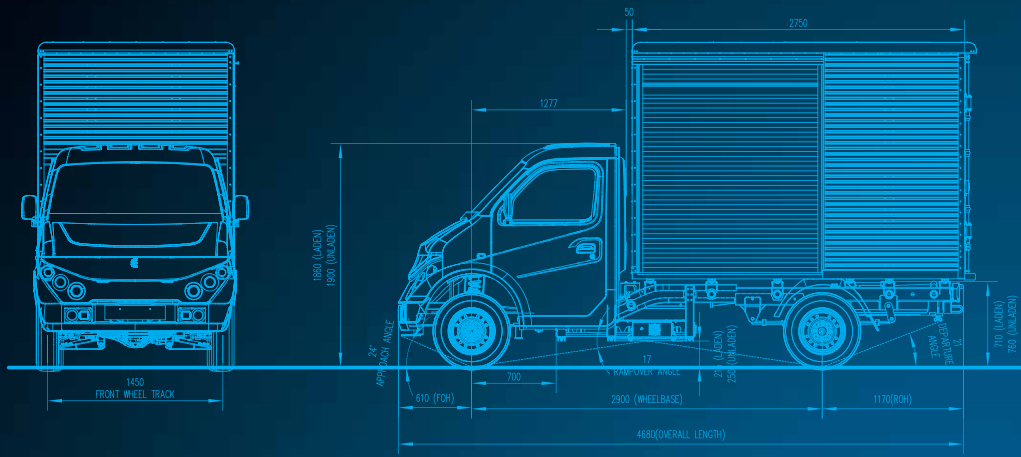
32 kWh Battery Capacity



D + 1 Seating Capacity

INDIA'S LARGEST RANGE OF EVCV

*Depending on the application & driving cycle.



EKA 2.5T – Specifications



| | |
|-----------------------------|-----------------------------------------------|
| Vehicle Category | N1 |
| Chassis | Ladder Frame |
| Seating Capacity | D + 1 |
| GVW (kg) | 2510 |
| Payload (kg) | 1500 |
| Vehicle L X W X H (mm) | 4610 X 1600 X 1850 |
| Wheelbase (mm) | 2900 |
| Transmission | Automatic |
| Front Suspension | Mac Pherson Independent Suspension |
| Rear Suspension | Longitudinal Leaf Spring Suspension |
| Brakes | Front: Disc Brakes Rear: Drum Brakes |
| Steering | Rack & Pinion Type, Electrically Assisted |
| Max Speed (kmph) | 70 |
| Range on Single Charge (km) | 180* |
| Peak Power (kW) | 60 |
| Peak Torque (Nm) | 220 |
| Gradeability (%) | 18 |
| Tyre Size | 175R 14LT |
| Battery Type | Lithium Ferrous Phosphate (LFP) |
| Battery Capacity (kWhr) | 32 |
| Operating Voltage (V) | 307 |
| Vehicle Warranty | 3 Years or 1,65,000 km (whichever is earlier) |
| Battery Warranty | 6 Years or 1,65,000 km (whichever is earlier) |

*Depending on the application & driving cycle.

| CHARGER SPECIFICATIONS | |
|------------------------|--------------------------|
| Charging Mode | Single Phase AC Charging |
| Input Voltage | 240 +/- 10% & 50Hz +/-5% |
| Install Form | Wall-mounted |
| Charging Time | 4 Hours |
| Input Current | 32 (max) |

| CONTAINER SPECIFICATIONS | |
|--------------------------------------------|-----------------------|
| Body Type | Sturdy MS/AL Body |
| External Dimensions (mm) | 2750 X 1750 X 1956 |
| Internal Dimensions (mm) | 2687 X 1692 X 1855 |
| Volume (m ³ / ft ³) | 8.44/300 |
| Branding Space (ft ²) | Available Area: 13.01 |

BENEFITS

- Nationwide Sales & Service
- On-Site Service



Pinnacle Mobility Solutions

Sai Radhe Complex Office No. G 101,
Behind Hotel Sheraton Grand Pune,
Kennedy Road, Pune 411 001

www.ekamobility.com
☎ +91 9371 345 345
Follow us @ekamobility

sales@ekamobility.com
+91 20 6767 9900
✉️ 🌐 📷 📺



Disclaimer: All listed specifications are current and subject to change or upgrade without prior notice, in accordance with the company's policy of continuous improvement. All illustrations & photographs, may or may not be part of the standard specification. Due to the printing process, colors may vary slightly from those shown.