

# EKA 1.5T

## Agile & Adaptable, Built for Light Cargo Needs

The EKA 1.5T is engineered for diverse logistical applications. Available in various configurations, it offers reliable performance, agility, and sustainability, making it ideal for various small-load transport applications.



258 ft<sup>3</sup> Loading Space



Impressive 180 km  
Range\*



9 ft. Long Deck



1500 Kg Payload  
Capacity



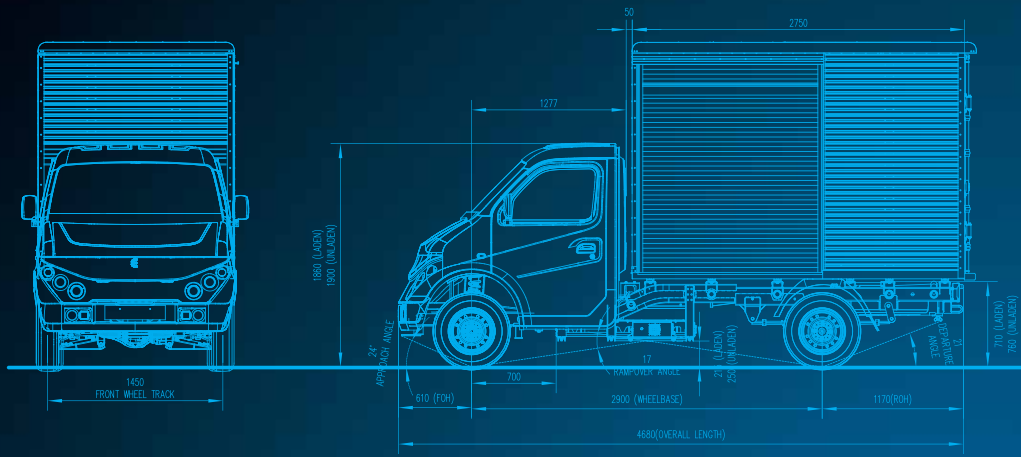
32 kWh Battery  
Capacity



D + 1 Seating Capacity

# INDIA'S LARGEST RANGE OF EVCV

\*Depending on the application & driving cycle.



## EKA 2.5T – Specifications



Vehicle Category	N1
Chassis	Ladder Frame
Seating Capacity	D + 1
GVW (kg)	2510
Payload (kg)	1500
Vehicle L X W X H (mm)	4585 X 1625 X 2600
Wheelbase (mm)	2830
Turning Radius (m)	5.5
Transmission	Automatic
Front Suspension	Mac Pherson Independent Suspension
Rear Suspension	Longitudinal Leaf Spring Suspension
Brakes	Front: Disc Brakes   Rear: Drum Brakes
Steering	Rack & Pinion Type, Electrically Assisted
Max Speed (kmph)	70
Range on Single Charge (km)	180*
Peak Power (kW)	60
Peak Torque (Nm)	220
Gradeability (%)	18
Hill Hold Assist	Yes
Tyre Size	175R 14LT
Battery Type	Lithium Ferrous Phosphate (LFP)
Battery Capacity (kWhr)	32
Operating Voltage (V)	307
Vehicle Warranty	3 Years or 1,65,000 km (whichever is earlier)
Battery Warranty	6 Years or 1,65,000 km (whichever is earlier)

\*Depending on the application & driving cycle.

### CHARGER SPECIFICATIONS

Charging Mode	Single Phase AC Charging
Input Voltage	240 +/- 10% & 50Hz +/- 5%
Install Form	Wall-mounted
Charging Time	4 Hours
Input Current	32 (max)

### CONTAINER SPECIFICATIONS

Body Type	Sturdy MS/AL Body
External Dimensions (mm)	2750 X 1625 X 1800 mm
Internal Dimensions (mm)	2690 X 1565 X 1740 mm
Volume (m <sup>3</sup> / ft <sup>3</sup> )	7.32 / 258
Branding Space (ft <sup>2</sup> )	Available Area: 13.01

### BENEFITS

- Nationwide Sales & Service
- On-Site Service



### Pinnacle Mobility Solutions

Sai Radhe Complex Office No. G 101,  
Behind Hotel Sheraton Grand Pune,  
Kennedy Road, Pune 411 001

[www.ekamobility.com](http://www.ekamobility.com)

+91 9371 345 345

Follow us @ekamobility

[sales@ekamobility.com](mailto:sales@ekamobility.com)

+91 20 6767 9900



**Disclaimer:** All listed specifications are current and subject to change or upgrade without prior notice, in accordance with the company's policy of continuous improvement. All illustrations & photographs, may or may not be part of the standard specification. Due to the printing process, colors may vary slightly from those shown.