

EKA 3-Wheeler Cargo

Combining Agility with Sustainable Performance

EKA 3-Wheeler Cargo is a nible, zero-tailpipe emission three-wheeled vehicle designed for last-mile urban logistics. EKA 1700K delivers efficient, eco-friendly performance, making it ideal for light transport needs.



220 ft³ Loading Space
7.6 ft. Long Deck



Impressive 200 km
Range*



Smart Pedal
Technology



750 Kg Payload
Capacity



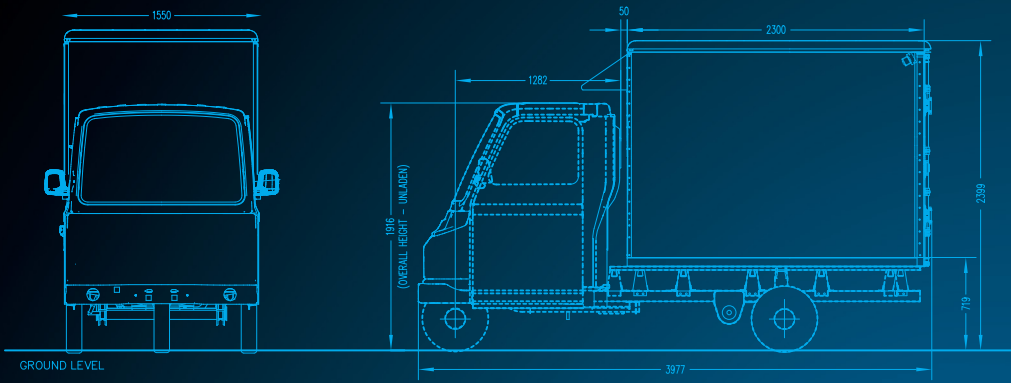
Best-in-Class 20 kWh
Battery Capacity



On-board Charger

INDIA'S LARGEST RANGE OF EVCV

*Depending on the application & driving cycle.



EKA 1700K – Specifications



Vehicle Category	L5N
Chassis	Ladder
Seating Capacity	D + 2
GVW (kg)	1700
Payload (kg)	750
Vehicle L X W X H (mm)	3950 X 1580 X 2400
Wheelbase (mm)	2550
Ground Clearance (mm)	172
Turning Radius (m)	5
Transmission	EV Motor Drive
Front Suspension	Dual Helical Spring with Damper
Rear Suspension	Shocker Absorber with Torsion Bar
Brakes	Front: Disc Brakes Rear: Drum Brakes
Steering	Rack & Pinion Steering Wheel
Max Speed (kmph)	50
Range on Single Charge (km)	200*
Peak Power (kW)	15
Peak Torque (Nm)	80
Gradeability (%)	19
Hill Hold Assist	Yes
Tyre Size	Tubeless; 130/80 R12
Battery Type	Lithium Ferrous Phosphate (LFP)
Battery capacity (kWhr)	20
Operating Voltage (V)	51.2
Vehicle Warranty	3 Years or 1,25,000 km (whichever is earlier)
Battery Warranty	6 Years or 1,65,000 km (whichever is earlier)

CHARGER SPECIFICATIONS

Charging Option 1 – Single Phase AC Charging/Home Charging

Charging Socket Grid Size | 3 Pin 16 Amp

Charging Time | 6.5 hrs

Charging Option 2 – DC Fast Charging

Charging Socket Grid Size | Type 6 Connector

Charging Time | 3 hrs

CONTAINER SPECIFICATIONS

Body Type | Sturdy MS/AL Body

External Dimensions (mm) | 2300 X 1550 X 1750

Volume (ft³) | 220



**ENVIRONMENT
CONSCIOUS MOBILITY**

Pinnacle Mobility Solutions

Sai Radhe Complex Office No. G 101,
Behind Hotel Sheraton Grand Pune,
Kennedy Road, Pune 411 001

www.ekamobility.com

+91 9371 345 345

Follow us @ekamobility

sales@ekamobility.com

+91 20 6767 9900



Disclaimer: All listed specifications are current and subject to change or upgrade without prior notice, in accordance with the company's policy of continuous improvement. All illustrations & photographs, may or may not be part of the standard specification. Due to the printing process, colors may vary slightly from those shown.