

# EKA 3S

## Smooth, Sustainable & Reliable Last-Mile Connectivity

EKA 3S is a light passenger three-wheeler designed for efficient & hassle-free city mobility. EKA 3S offers a comfortable, eco-friendly, and reliable solution for quick commutes.



Best-in-Class  
Battery-10.75 kWh



D + 3 Seating Capacity



Easy Home Charging



High  
Gradeability of 21%



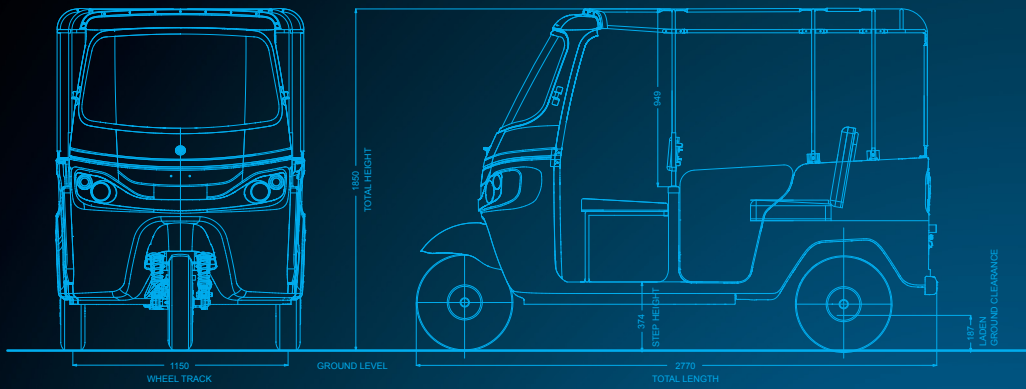
Impressive  
Range of 160 km\*



On-board Charger

# INDIA'S LARGEST RANGE OF EVCV

\*Depending on the application & driving cycle.



## EKA 3S – Specifications



Vehicle Category	L5M
Steering	Handlebar
Battery Type	Lithium Ferrous Phosphate (LFP)
Battery Capacity (kWhr)	10.75
Peak Power (kW)	10
Peak Max Torque (Nm)	55
Gradeability (%)	21 (Continuous)
Hill Hold Assist	Yes
Tyre Size	Tubeless; 120/80 R12
Transmission	Automatic
Front Suspension	Helical Spring + Damper + Hydraulic Damper
Rear Suspension	Independent Trailing Arm with Helical Spring & Hydraulic Damper
Brakes	Front: Disc Brakes   Rear: Drum Brakes
Operating Voltage (V)	51.2
Battery Warranty	6 Years / 1,50,000 km (whichever is earlier)
Max Speed (kmph)	48
Range on Single Charge (km)	160*
Ground Clearance (mm)	187
Seating Capacity	D + 3

\*Depending on the application & driving cycle.

### CHARGER SPECIFICATIONS

Charging Option 1 – Single Phase AC Charging/Home Charging	
Charging Socket Grid Size	3 Pin 16 Amp
Charging Time	3.5 hrs
Charging Option 2 – DC Fast Charging	
Charging Socket Grid Size	Type 6 DC
Charging Time	2 hrs

# eKa

**ENVIRONMENT  
CONSCIOUS MOBILITY**

Pinnacle Mobility Solutions

Sai Radhe Complex Office No. G 101,  
Behind Hotel Sheraton Grand Pune,  
Kennedy Road, Pune 411 001

[www.ekamobility.com](http://www.ekamobility.com)

+91 9371 345 345

Follow us @ekamobility

[sales@ekamobility.com](mailto:sales@ekamobility.com)

+91 20 6767 9900



Disclaimer: All listed specifications are current and subject to change or upgrade without prior notice, in accordance with the company's policy of continuous improvement. All illustrations & photographs, may or may not be part of the standard specification. Due to the printing process, colors may vary slightly from those shown.