

EKA 55T

Build For More: Delivering Heavy-Duty Logistics Sustainably

EKA 55T offers unmatched efficiency and reliability. Designed for maximum impact, the EKA 55T can be paired with a range of trailers, from flatbeds to containers, for diverse cargo needs.



30% Gradeability



Impressive
200 km Range*



Best in Class
Payload for
Customised Application



Short Circuit
Protection



Over Temperature
Protection



Fully built options*
With value enhancer package

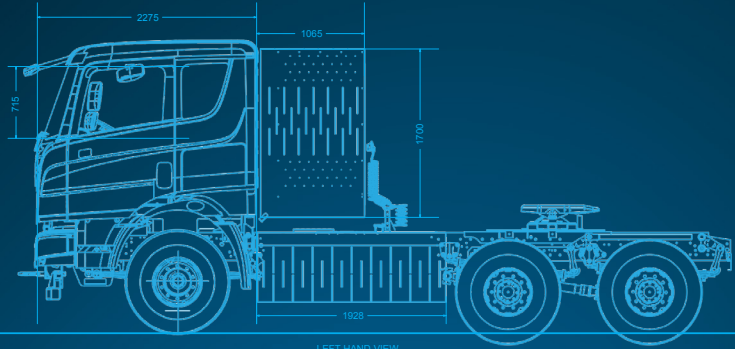
INDIA'S LARGEST RANGE OF EVCV

*Depending on the application & driving cycle.



FRONT VIEW

GROUND LEVEL



LEFT HAND VIEW

EKA 55T – Specifications



GCW (kg)	55000
GVW (kg)	-
Payload – Including Semi Trailer (kg)	-
Configuration	6 X 4
Vehicle L X W X H	7115 X 2490 X 3028 mm
Wheelbase	4100 mm
Ground clearance (mm)	275
Container (CFT)	Standard Semi Trailer
Cargo Size – Deck LxWxH	40' Container / Flatbed Trailer
Range (km)	Up to 200*
Gradeability (%)	30
Max Speed (kmph)	80
Chassis Type	Ladder
Seating Capacity	D+1 (Sleeper/Day Cab Options Available)
Transmission	AMT
Gearbox	6 Speed
Steering	Power Steering
Suspension	Front: Parabolic Leaf Spring Rear: Bell Crank Leaf Spring (Inverted Leaf Bogie Suspension Optional)
Brakes	Front: Drum Brakes Rear: Drum Brakes
Climate Control	Optional (5 kW)
Tyre Size	295/90R 20 16PR
Traction Motor Type	PMSM
Rated Power (kW)	190
Peak Power (kW)	330
Peak Torque (Nm)	3500
Continuous Torque (Nm)	1800
Battery Type	Lithium Ferro Phosphate (LFP)
Battery Capacity (kWh)	322
Operating Voltage (VDC)	650
Charging Socket	CCS 2
Charging Time	Fast Charging: 0-80% in 1 hours
Charger	240kw; Dual Gun
*Depending on the application & driving cycle.	



Pinnacle Mobility Solutions

Sai Radhe Complex Office No. G 101,
Behind Hotel Sheraton Grand Pune,
Kennedy Road, Pune 411 001

www.ekamobility.com

+91 9371 345 345

Follow us @ekamobility

sales@ekamobility.com

+91 20 6767 9900



Disclaimer: All listed specifications are current and subject to change or upgrade without prior notice, in accordance with the company's policy of continuous improvement. All illustrations & photographs, may or may not be part of the standard specification. Due to the printing process, colors may vary slightly from those shown.