

EKA 6S

Environment Friendly Last Mile Connectivity

The EKA 6S is a versatile, zero-tailpipe emission 3-wheeler designed to facilitate shared travel and intermediate public transport. It combines comfort, safety, and efficiency, offering reliable, value-conscious last-mile connectivity.



Best-in-Class
Battery – 16.1 kWh



D + 6 Seating Capacity



Easy Home Charging



Smart Pedal
Technology



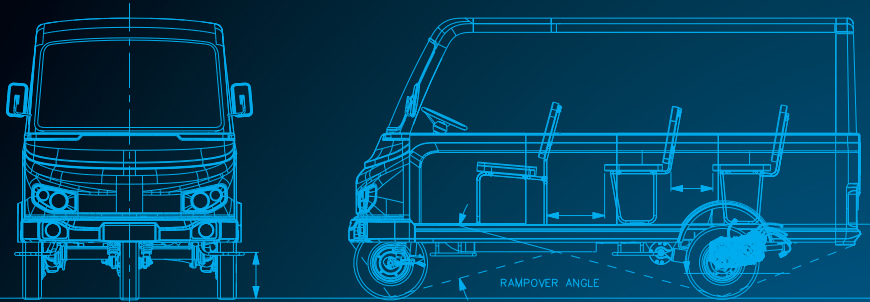
Impressive
Range of 175 km*



On-board Charger

INDIA'S LARGEST RANGE OF EVCV

*Depending on the application & driving cycle.



EKA 6S – Specifications

Vehicle Category	L5M
Chassis	Ladder
Seating Capacity	D + 6
GVW (kg)	1377
Vehicle L X W X H (mm)	3580 X 1592 X 1920
Wheelbase (mm)	2320
Ground Clearance (mm)	192
Turning Radius (m)	4.5
Transmission	EV Motor Drive
Front Suspension	Dual Helical Spring with Damper
Rear Suspension	Shocker Absorber with Torsion Bar
Brakes	Front: Disc Brakes Rear: Drum Brakes
Steering	Steering Wheel with Rack & Pinion
Max Speed (kmph)	49
Range on Single Charge (km)	175*
Peak Power (kW)	10
Peak Torque (Nm)	65
Gradeability (%)	21
Tyre Size	Tubeless; 120/80 R12
Battery Type	Lithium Ferro Phosphate (LFP)
Battery Capacity (kWhr)	16.1
Vehicle Warranty	6 Years or 1,50,000 km (whichever is earlier)
Battery Warranty	6 Years or 1,50,000 km (whichever is earlier)

CHARGER SPECIFICATIONS

Charging Option 1 – Single Phase AC Charging/Home Charging

Charging Socket Grid Size | 3 Pin 16 Amp

Charging Time | 5 hrs

Charging Option 2 – DC Fast Charging

Charging Socket Grid Size | Type 6 DC

Charging Time | 2 hrs



**ENVIRONMENT
CONSCIOUS MOBILITY**

Pinnacle Mobility Solutions

Sai Radhe Complex Office No. G 101,
Behind Hotel Sheraton Grand Pune,
Kennedy Road, Pune 411 001

www.ekamobility.com

+91 9371 345 345

Follow us @ekamobility

sales@ekamobility.com

+91 20 6767 9900



Disclaimer: All listed specifications are current and subject to change or upgrade without prior notice, in accordance with the company's policy of continuous improvement. All illustrations & photographs, may or may not be part of the standard specification. Due to the printing process, colors may vary slightly from those shown.