

EKA 55T

Build For More: Delivering Heavy-Duty Logistics Sustainably

EKA 55T offers unmatched efficiency and reliability. Designed for maximum impact, the EKA 55T can be paired with a range of trailers, from flatbeds to containers, for diverse cargo needs.



30% Gradeability



Impressive
200 km Range*



Best in Class
Payload for
Customised Application



Short Circuit
Protection



Over Temperature
Protection



Regenerative
Braking through
Auto + Manual Model

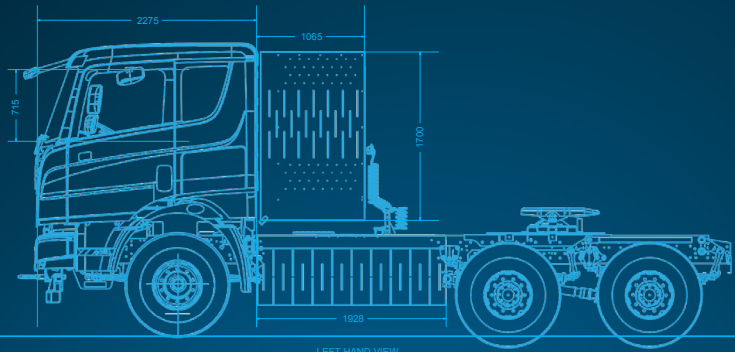
INDIA'S LARGEST RANGE OF EVCV

*Depending on the application & driving cycle.



FRONT VIEW

GROUND LEVEL



LEFT HAND VIEW

EKA 55T – Specifications



GCW (kg)	55000
Configuration	6 X 4
Vehicle L X W X H	7115 X 2490 X 3028 mm
Wheelbase	4100 mm
Ground clearance (mm)	256
Turning Circle Dia (m)	19
Range (km)	Up to 200*
Gradeability (%)	30
Max Speed (kmph)	80
Chassis Type	Ladder
Seating Capacity	D+1+1 Sleeper Berth
Transmission	Smart Auto AMT
Gearbox	4 Speed AMT PTO provision
Steering	Power Steering
Suspension	Front: Parabolic Leaf Spring with shock absorbers Rear: Bell Crank Leaf Spring.
Brakes	410 Dia with Brum Brakes & Improved durability performance
Climate Control	Standard
Tyre Size	LRR 295/90R 20 16PR Radial
Traction Motor Type	PMSM
Rated Power (kW)	250
Peak Power (kW)	400
Peak Torque (Nm)	2500
Continuous Torque (Nm)	1355
Battery Type	Lithium Ferro Phosphate (LFP)
Battery Capacity (kWh)	424, 282
Nominal Operating Voltage (VDC)	650
Charging Socket	CCS 2 Dual Gun Provision
Charging Time	Fast Charging (20%-100% SOC): <1Hr with suitable capacity DC Fast charger
Charger	240kw; Dual Gun. Compatible with higher rating Chargers upto 400kW

*Depending on the application & driving cycle.

eKa

**ENVIRONMENT
CONSCIOUS MOBILITY**

Pinnacle Mobility Solutions

Sai Radhe Complex Office No. G 101,
Behind Hotel Sheraton Grand Pune,
Kennedy Road, Pune 411 001

www.ekamobility.com

+91 9371 345 345

Follow us @ekamobility

sales@ekamobility.com

+91 20 6767 9900

[X](#)
[in](#)
[f](#)
[o](#)
[v](#)



Disclaimer: All listed specifications are current and subject to change or upgrade without prior notice, in accordance with the company's policy of continuous improvement. All illustrations & photographs, may or may not be part of the standard specification. Due to the printing process, colors may vary slightly from those shown.